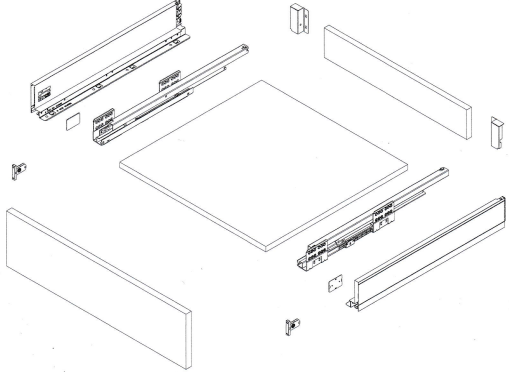
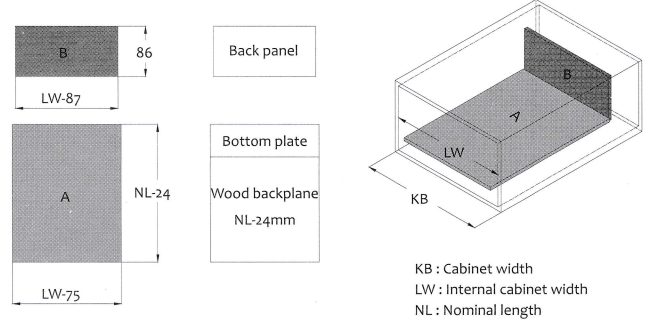
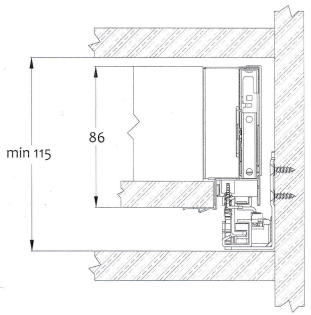
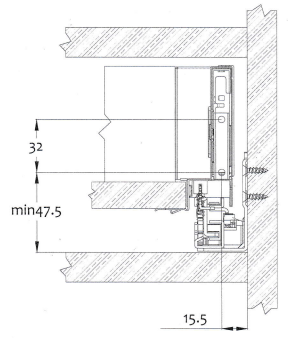
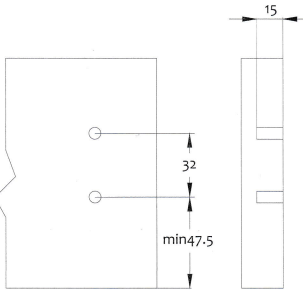
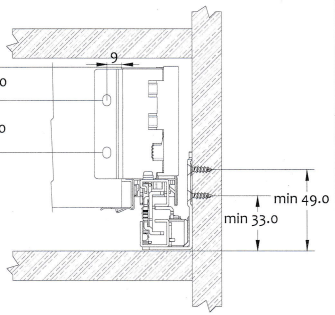
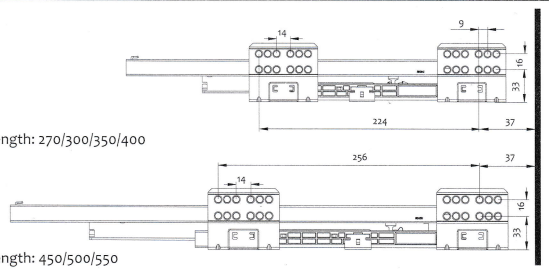
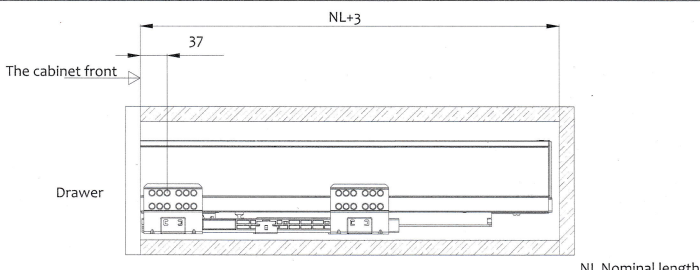
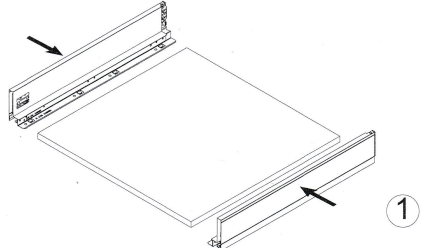
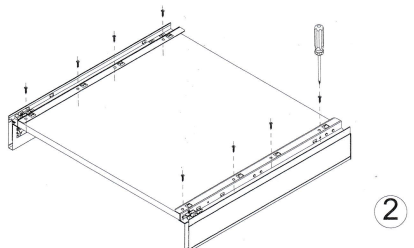
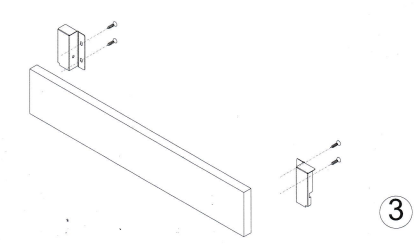
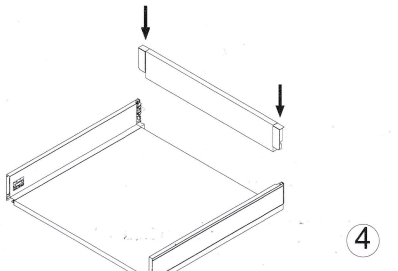
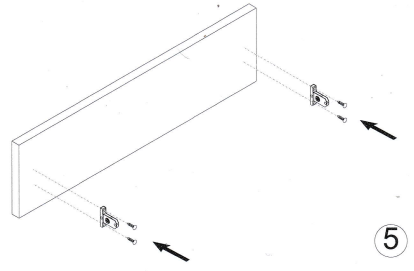
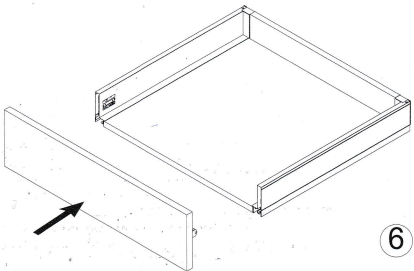
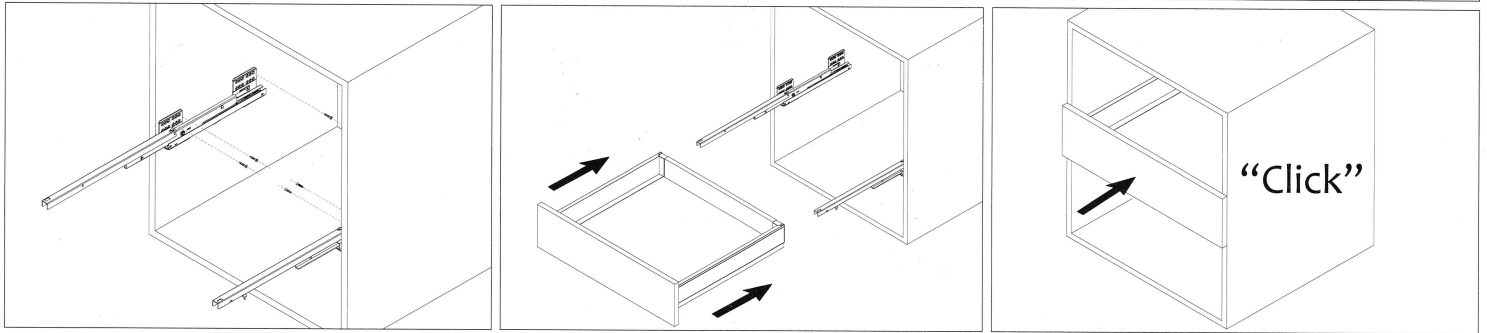


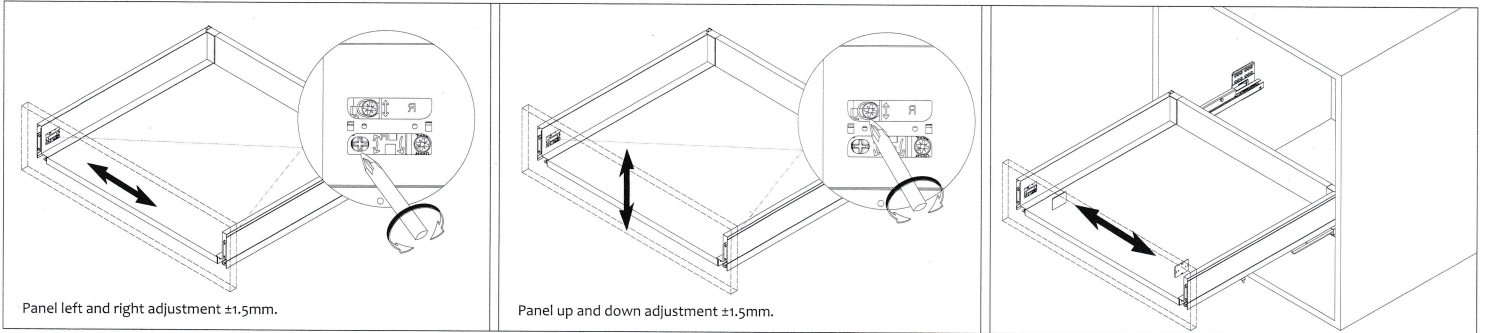
Slim double wall drawer slide , height 86mm

| | | | |
|--|---|--|---|
| <p>Basic components</p>  | <p>Cutting dimensions of 16mm thick MDF</p>  <p>KB : Cabinet width LW : Internal cabinet width NL : Nominal length</p> | | |
| <p>Cabinet space requirements</p>  | <p>Front connectors panel mounting dimensions</p>  | <p>Front panel drilling pattern</p>  | <p>Mounting dimensions for the back plate</p>  |
| <p>Slide mounting hole distance</p>  <p>Nominal length: 270/300/350/400</p> <p>Nominal length: 450/500/550</p> | <p>The cabinet body rail mounting dimensions</p>  <p>NL Nominal length</p> | | |
| <p>Drawer installation</p> | | | |
|  <p>1</p> |  <p>2</p> |  <p>3</p> | |
|  <p>4</p> |  <p>5</p> |  <p>6</p> | |

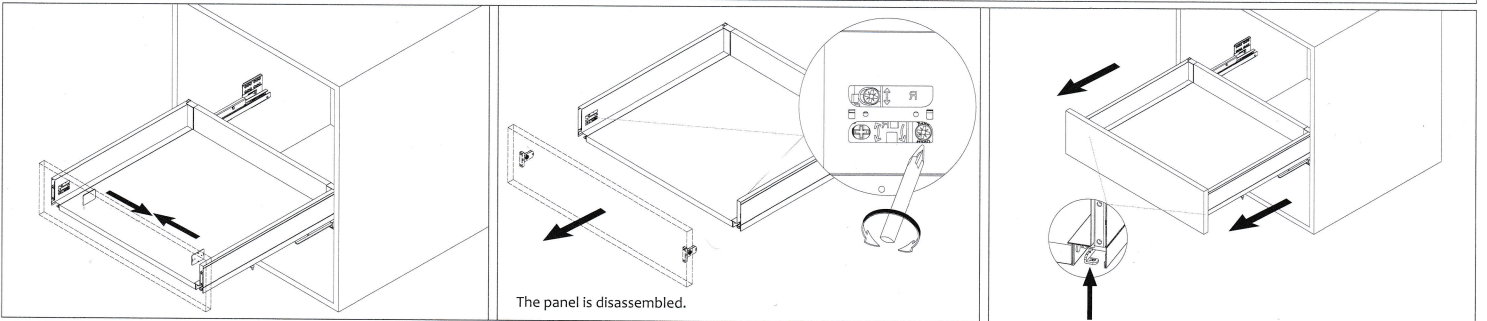
Drawer installation to the cabinet.



Front panel adjustment.



Drawer disassembly.



Drawer removal

