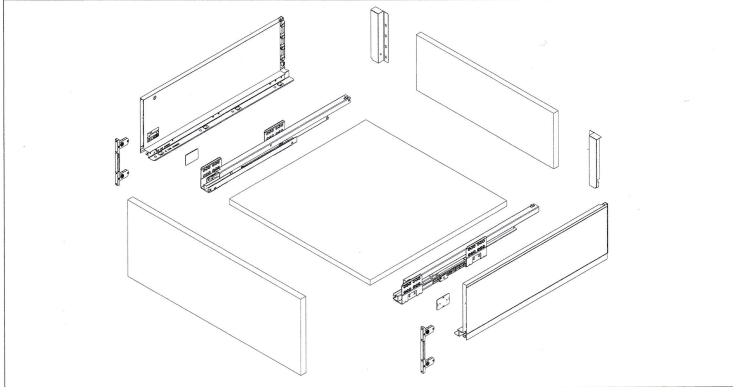
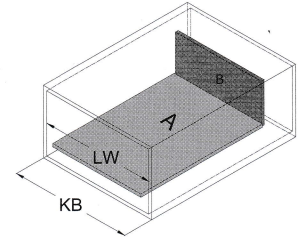
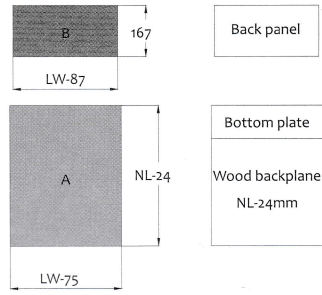


# Slim double wall drawer slide, height 167mm

## Basic components

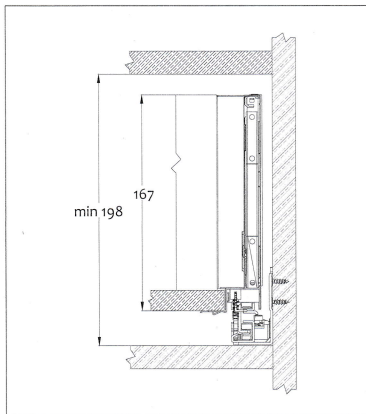


## Cutting dimensions of 16mm thick MDF

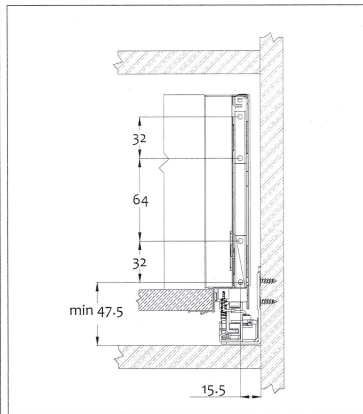


KB : Cabinet width  
LW : Internal cabinet width  
NL : Nominal length

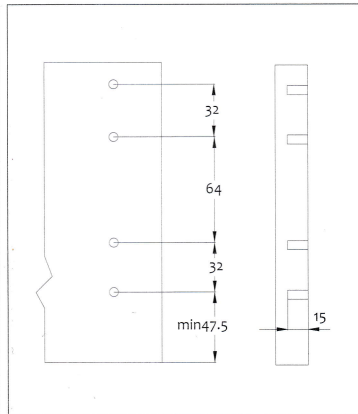
## Cabinet space requirements



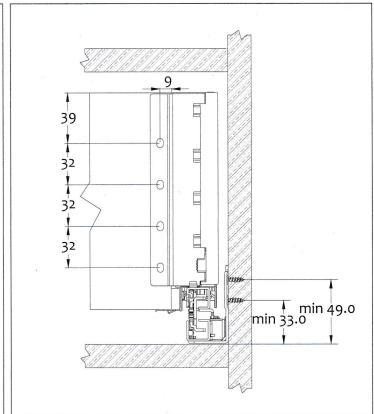
## Front connectors panel mounting dimensions



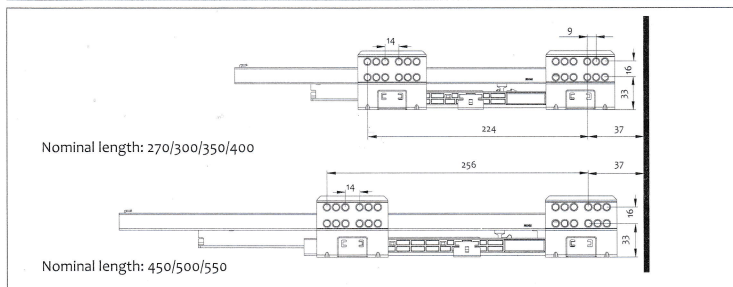
## Front panel drilling pattern



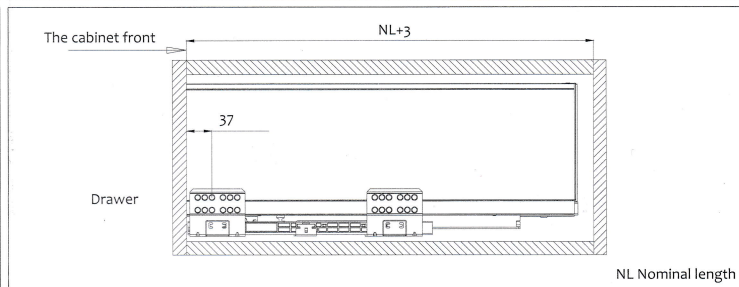
## Mounting dimensions for the back plate



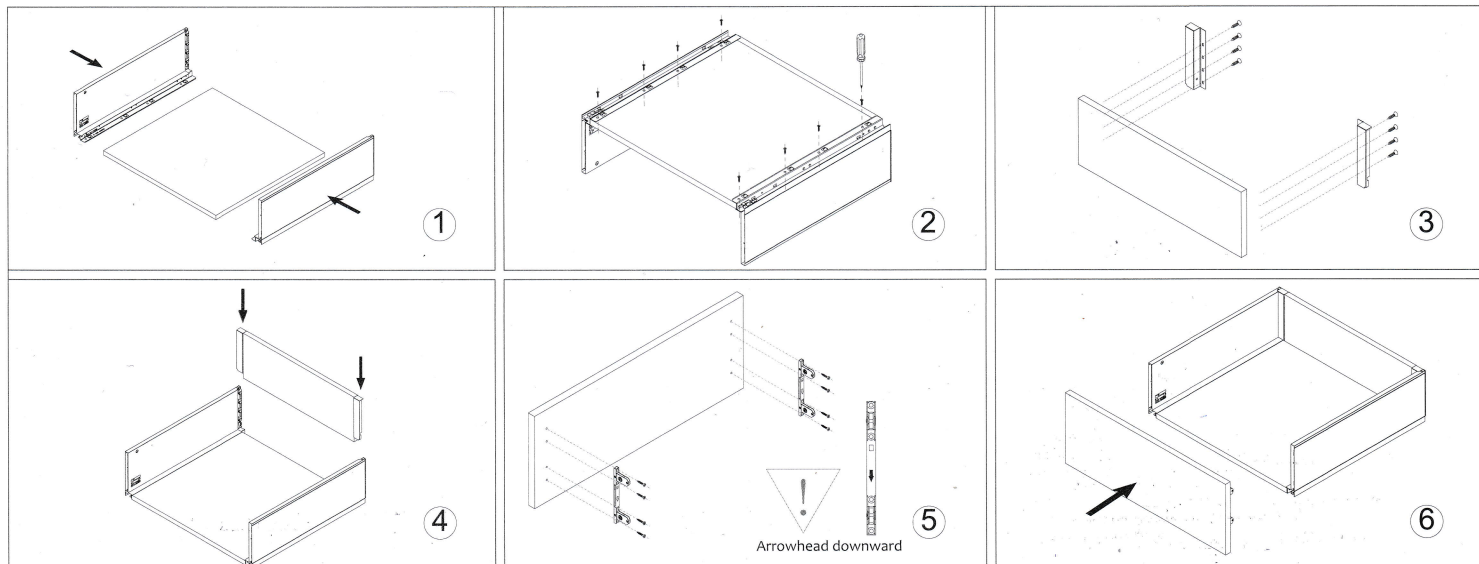
## Slide mounting hole distance



## The cabinet body rail mounting dimensions

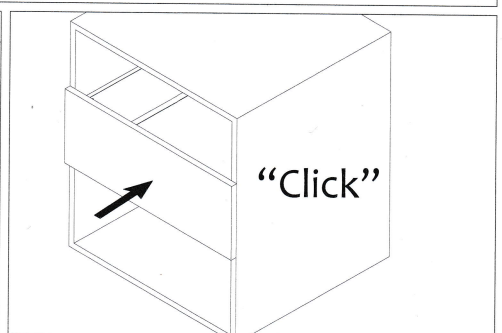
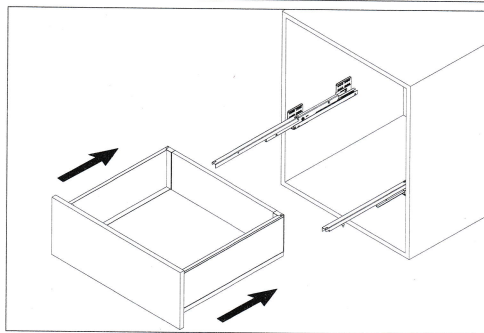
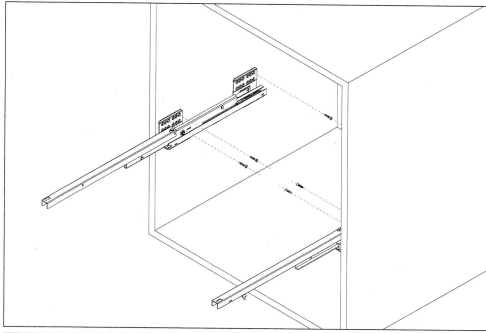


## Drawer installation

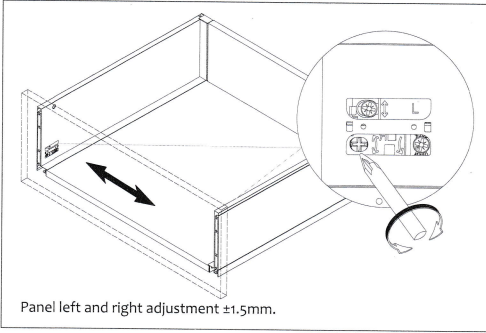


Arrowhead downward

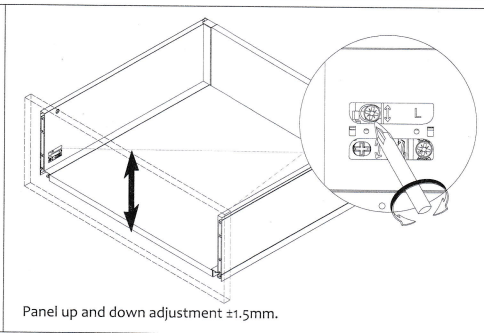
### Drawer installation to the cabinet.



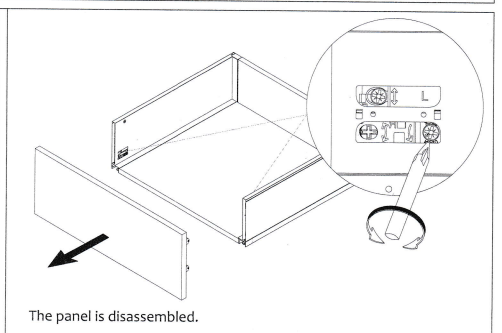
### Front panel adjustment.



Panel left and right adjustment  $\pm 1.5\text{mm}$ .

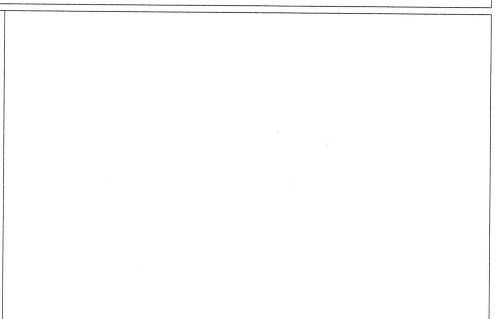
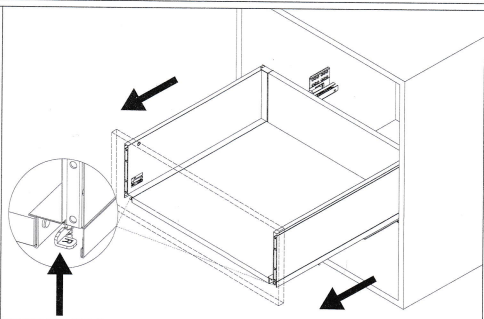
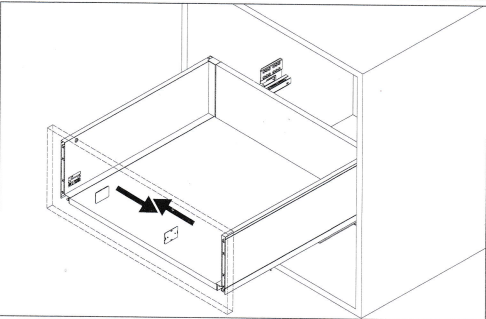


Panel up and down adjustment  $\pm 1.5\text{mm}$ .



The panel is disassembled.

### Drawer disassembly.



### Drawer removal

